



SUBMITTAL/TECHNICAL DATA SHEET

APPLICATION

MI-SF surface access door is designed for surface installation on drywall, masonry, or thin-coat plaster. The door is attached to the frame with a continuous piano hinge allowing 175 degree opening. It has a unique white finish.

SPECIFICATIONS

MATERIAL:
MI-SF Series is 16 gauge steel door and frame.
The MI-SFSS Stainless Steel Series is 16 gauge #304 stainless steel door and frame.

DOOR:
Flush to frame. One 1/4" (6) hole in each corner. A 3/8" (9) wide outer perimeter space of the frame is bent on a fifteen degree angle toward the wall.

HINGE:
Continuous piano hinge. 175 degree opening.

STANDARD LOCK:
Flush mounted, screwdriver operated cam.

OPTIONAL LOCK:
Allen key, cylinder key, or vandal resistant latch. All of MIFAB's cylinder key locks are keyed alike.

FINISH: Satin coat steel doors have a primed white finish. Stainless steel doors have a #4 brush satin finish.

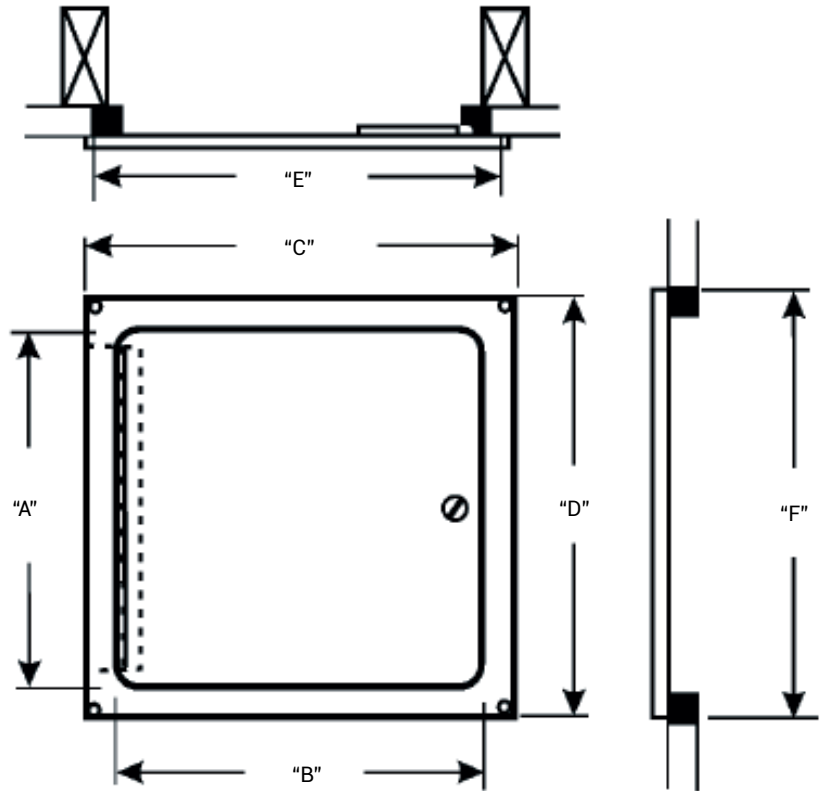
PACKAGING: Individual pack.



SKU: **MI SF**
SURFACE ACCESS DOOR

DIMENSIONS AND APPEARANCE

>> CLICK TO VIEW ADDITIONAL DETAILS AND PRICING <<



For detailed specifications see submittal sheet

For a complete list of options visit www.AccessDoorsAndPanels.com

PROJECT DATA

Custom Sizes Available - Fast!

Scan or Click



To view Pricing and Additional Product Info.

PROJECT NAME :	QTY	W	H	OPTIONS
ARCHITECT :				
DEALER :				
CONTRACTOR :				
LOCATION :	SPECIAL INSTRUCTIONS :			
DATE :	SUBMITTAL APPROVAL : (signature or stamp)			
TAGGING INSTRUCTIONS :				

TELEPHONE:
1-888-457-1275
FAX:
1-888-626-2907



PO BOX 66738 #76520,
SAINT LOUIS, MO
63166-6738
USA



WEBSITE:
www.AccessDoorsAndPanels.com
E-MAIL:
info@AccessDoorsAndPanels.com



MI SF

SURFACE ACCESS DOOR

"B" X "A"	SHIP WEIGHT (Lbs.)	LATCHES	MILD STEEL MODEL #	STAINLESS STEEL MODEL #
8" x 8"	2.5	1	MI-SF0808	MI-SFSS0808
10" x 10"	3.5	1	MI-SF1010	MI-SFSS1010
12" x 12"	4.0	1	MI-SF1212	MI-SFSS1212
14" x 14"	6.0	1	MI-SF1414	MI-SFSS1414
16" x 16"	8.0	1	MI-SF1616	MI-SFSS1616
18" x 18"	9.5	3	MI-SF1818	MI-SFSS1818
22" x 22"	13.5	3	MI-SF2222	MI-SFSS2222
24" x 24"	16.0	3	MI-SF2424	MI-SFSS2424

- A-B** Door Size
- C-D** Overall Dimensions - Door Size - Plus 3" (76)
- E-F** Wall opening - Door Size

SUFFIX	OPTIONAL VARIATIONS
■ - A	Allen key lock
■ - BA	Buy American Act compliant product
■ - C	Cylinder key lock
■ - PA	Pennsylvania Steel Act compliant product
■ - VP	Vandal resistant hardware (VP Screwdriver included)

(Dimension) Denotes Millimetres

Note: The hinge is always furnished on the "A" or height (longer) dimension, unless otherwise specified.